

Model

800 Series

TELESCOPIC BOOM LIFTS



Features

6 ft (1.83 m) Articulating Jib (860SJ Only)
Platform: 36 x 96 in. (0.91 x 2.44 m) Side Entry
Inward Swinging Gate
Dual-Rated Capacities
SkyPower® Package
Oscillating Axle
Hydraulic Platform Rotator
110V AC Receptacle in the Platform
5 Degree Tilt Alarm/Indicator Light
Swing-Out Engine Tray
12V DC Auxiliary Power
Hourmeter
Fuel Gauge
Control ADE® System
All Motion Alarm
Proportional Controls
Gull-Wing Hoods
Hydrostatic Drive
Operators Tool Tray
Platform Console Machine Status Light Panel*
Lifting/Tie Down Lugs
Engine Distress Warning/Shutdown—
Selectable via JLG Analyzer
15-625 Rim Protector Lug Tread Tires
Glow Plugs (Diesel Engines)

* Provides indicator lights at platform control console for system distress, fuel level, low fuel, 5 degree tilt light and foot switch status.

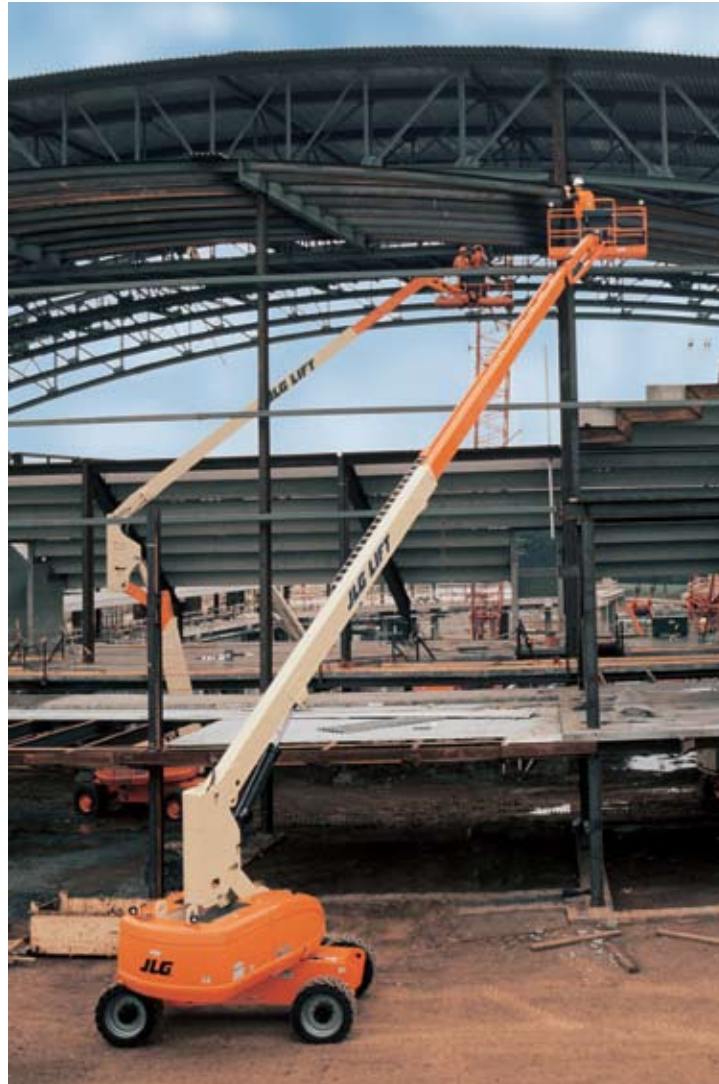
Accessories & Options

Platform: 36 x 72 in. (0.91 x 1.83 m)
Fall Arrest Platform
(Requires Foam Filled Tires)
Mesh to Top Rail
Light Package¹
Flashing Amber Beacon
15-625 Foam Filled Tires
18-625 Foam Filled Tires
Soft-Touch System
Catalytic Muffler
Cold Weather Start Kit²
Hostile Environment Kit³
Arctic Package⁴
Platform Worklights
Tow Package
Special Hydraulic Oils (Consult Factory)

Accessory Packages:

SkyWelder®
SkyGlazier®
Nite Bright®
SkyCutter®
Pipe Rack
SkyAir®

1. Includes platform mounted work lights and drive/backup lights.
2. Engine block heater, battery heater and oil tank heater.
3. Includes console cover, boom wipers and cylinder bellows.
4. Includes arctic hydraulic hoses (drive and steer only and main boom cable, arctic hydraulic oil, extreme cold engine oil, anti-freeze (CAT only), fuel conditioner, engine block heater, battery blanket, glow plugs, hydraulic tank heater and oversized foot switch.



Optimum Performance, Increased Productivity

- Go from ground to 80 ft (24.38 m) in less than 67 seconds—40% faster than competitive models
- Revolutionary Workstation in the Sky® accessory packages enhance the work environment and increase productivity

Easier Maintenance, Reduced Costs

- Swing-out engine tray allows for faster and easier access for routine maintenance
- Exclusive Advanced Design Electronics (Control ADE®) System provides smoother machine functions, increased fuel efficiency and reduced emissions

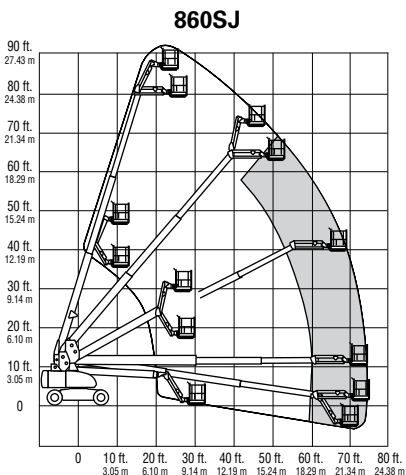
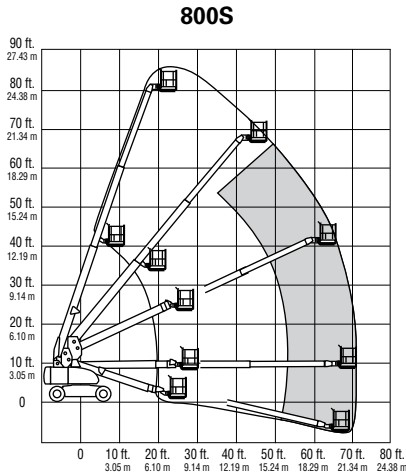
Higher Capacity and Improved Performance

- Dual-rated platform capacities up to 1,000 lb (454 kg)
- 45% gradeability and oscillating axle for improved traction

Model 800 Series

TELESCOPIC BOOM LIFTS

Specifications



Reach

| | |
|---------------------------|-------------------|
| Platform Height | |
| 800S | 80 ft (24.38 m) |
| 860SJ | 86 ft (26.21 m) |
| Horizontal Outreach | |
| 800S | 71 ft (21.64 m) |
| 860SJ | 75 ft (22.86 m) |
| Swing | 360° Continuous |
| Platform Capacity— | |
| Restricted (800S) | 1,000 lb (454 kg) |
| Restricted (860SJ) | 750 lb (340 kg) |
| Platform Capacity— | |
| Unrestricted | 500 lb (227 kg) |
| Platform Rotator | 180° Hydraulic |
| Jib Range of Articulation | |
| 860SJ | 130° (+70, -60) |

Dimensions

| | |
|-------------------------------------|-----------------------------------|
| A. Platform Size | 36 x 96 in. (0.91 x 2.44 m) |
| B. Overall Width | 8 ft 2 in. (2.49 m) |
| C. Tailswing (working condition) | 4 ft 8 in. (1.42 m) |
| D. Stowed Height | |
| 800S | 9 ft 11 in. (3.02 m) |
| 860SJ | 10 ft (3.05 m) |
| E. Stowed Length | |
| 800S | 37 ft 3 in. (11.35 m) |
| 860SJ | 40 ft (12.19 m) |
| F. Wheelbase | 10 ft (3.05 m) |
| G. Ground Clearance | 12 in. (30 cm) |
| Weight ¹ | |
| 800S | 33,200 lb (15,060 kg) |
| 860SJ | 36,400 lb (16,511 kg) |
| Max. Ground Bearing Pressure | |
| 800S | 72 psi (5.06 kg/cm ²) |
| 860SJ | 81 psi (5.69 kg/cm ²) |

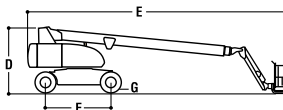
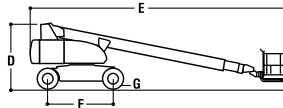
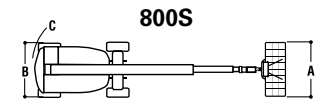
Chassis

| | |
|------------------|----------------------|
| Drive Speed 2WD | 3.5 mph (5.6 kmph) |
| Drive Speed 4WD | 3.5 mph (5.6 kmph) |
| Gradeability 2WD | 30% |
| Gradeability 4WD | 45% |
| Tires | 15.625 Pneumatic |
| Turning Radius | |
| Inside | 12 ft (3.66 m) |
| Outside | 22 ft 6 in. (6.86 m) |

1. Certain options or country standards increase weight.

Power Source

| | |
|-------------------------|-------------------|
| Dual Fuel Engine, | |
| GM Vortec 3000 MPFI | 82 hp (61 kW) |
| Diesel Engine, | |
| Deutz D2011L04 with EGR | 64 hp (47 kW) |
| Diesel Engine, | |
| Caterpillar C3.4 | 63.3 hp (47.2 kW) |
| Fuel Tank Capacity | 31 gal (117.3 L) |
| Hydraulic Reservoir | 48 gal (181.7 L) |
| Auxiliary Power | 12V DC |



The JLG "1 & 5" Warranty

JLG Industries, Inc. backs our products with our exclusive "1 & 5" Warranty. We provide coverage for one (1) full year, and cover all specified major structural components for five (5) years. These machines meet or exceed applicable OSHA Regulations in 29 CFR 1910.67, 29 CFR 1926.453, ANSI A92.5-2006 and CSA standard B354.4-02 as originally manufactured for intended applications. We reserve the right to make price, specification, and/or equipment changes without prior notification.



JLG Industries, Inc.

1 JLG Drive
McConnellsburg, PA 17233-9533
Telephone 717-485-5161
Toll-free in US 877-JLG-LIFT
Fax 717-485-6417

www.jlg.com

An Oshkosh Corporation Company