



MODELS | SJIII 4620 SJIII 4626 SJIII 4632



CONVENTIONAL SERIES DC Electric SCISSOR LIFTS

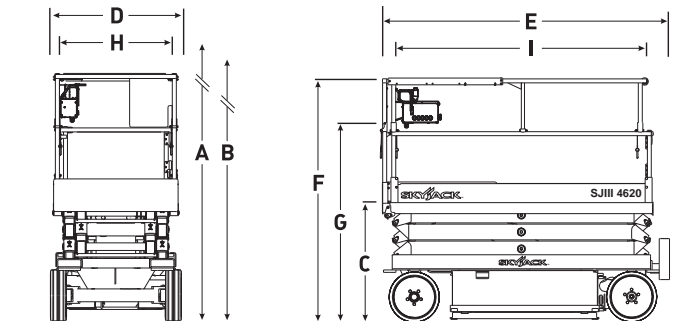
The Conventional Series DC Electric Scissor Lifts offer high capacity and large platform areas, making them suitable for any on-slab application. Featuring variable speed rear wheel hydraulic drive, the Conventional Series offers working heights up to 38', and 25% gradeability.

Boasting an industry leading 1300 lb capacity, the SJIII 4620 also features a stowed height of only 77", for easy transport and access through some low overhead doors.

A standard 4' roll out extension deck can be secured in multiple positions, and all three models can be driven at full height. Consistent with Skyjack's robust and reliable design features, the Conventional Series DC Electric Scissor Lifts utilize Skyjack's standard color coded and numbered wiring system with analog based controls.

CONVENTIONAL SERIES DC Electric Scissor Lifts

Specifications	SJIII 4620	SJIII 4626	SJIII 4632
A Work Height	26' (7.9 m)	32' (9.8 m)	38' (11.6 m)
B Raised Platform Height	20' (6.1 m)	26' (7.9 m)	32' (9.8 m)
C Lowered Platform Height	38" (1.0 m)	45" (1.1 m)	48.5" (1.2 m)
D Overall Width	46" (1.2 m)	46" (1.2 m)	46" (1.2 m)
E Overall Length	91" (2.3 m)	91" (2.3 m)	91" (2.3 m)
F Stowed Height (Rails Up)	77" (2.0 m)	84.5" (2.1 m)	88" (2.2 m)
G Stowed Height (Rails Down)	OPT 63.4" (1.6 m)	70.5" (1.8 m)	74" (1.9 m)
H Platform Width (Inside Dimension)	42" (1.1 m)	42" (1.1 m)	42" (1.1 m)
I Platform Length (Inside Dimension)	84" (2.1 m)	84" (2.1 m)	84" (2.1 m)
Extension Deck (Roll Out)	4' (1.2 m)	4' (1.2 m)	4' (1.2 m)
Ground Clearance (Stowed)	3.5" (8.9 cm)	3.5" (8.9 cm)	3.5" (8.9 cm)
Ground Clearance (raised)	0.75" (1.9 cm)	0.75" (1.9 cm)	0.75" (1.9 cm)
Wheelbase	69" (1.8 m)	69" (1.8 m)	69" (1.8 m)
Weight	4,100 lbs (1,860 kg)	4,700 lbs (2,132 kg)	5,075 lbs (2,302 kg)
Gradeability	25%	25%	25%
Turning Radius (Inside)	47.5" (1.2 m)	47.5" (1.2 m)	47.5" (1.2 m)
Turning Radius (Outside)	93.5" (2.4 m)	93.5" (2.4 m)	93.5" (2.4 m)
Lift Time (With Rated Load)	32 sec	54 sec	59 sec
Drive Speed (Stowed)	2 mph (3.2 km/h)	2 mph (3.2 km/h)	2 mph (3.2 km/h)
Drive Speed (Raised)	0.6 mph (1 km/h)	0.6 mph (1 km/h)	0.6 mph (1 km/h)
Maximum Drive Height	Full Height	Full Height	Full Height
Capacity (Overall)	1,300 lbs (590 kg)	1,000 lbs (454 kg)	700 lbs (318 kg)
Maximum # of Persons	3	3	2



STANDARD FEATURES

- Drivable at full height
- Variable speed, rear two wheel hydraulic drive
- Dual holding brakes
- Proportional controls for drive & lift functions
- 4' (1.2 m) roll out extension deck
- 24V DC power source
- Low voltage battery protection
- Analog control system
- Color coded and numbered wiring system
- 25% gradeability
- Solid rubber, non-marking tires
- Pothole protection system
- 110V AC outlet on platform with GFI
- Tilt alarm with drive & lift cut-out
- All motion audible alarm
- Operator horn
- Hinged railing system (except 4620)
- Lanyard attachment points
- Forklift pockets and tie down/lift lugs

OPTIONS†

- Flashing light
- 6' powered extension deck (except 4632)*
*adds 280 lbs to unit weight and capacity remains the same
- Shop airline to platform
- 800 watt AC inverter
- 250 Ah batteries
- Hinged railing system (4620 only)
- Half height spring hinged gate
- Full height spring hinged gate
- EE rating package
- Air operation package

† Capacities, and machine weights may differ when options are added

Skyjack Head Office

55 Campbell Rd. Guelph, ON Canada N1H 1B9
 Sales Inquiries: 1-877-755-4387 (1-877-SJLIFTS)
 Main Switchboard: 1-800-265-2738
 Phone: 519-837-0888
 Fax: 519-837-8104
 Email: skyjack@skyjack.com

www.skyjack.com

This brochure is for illustrative purpose only and based on the latest information at the time of printing. Skyjack Inc. reserves the right to make changes at any time, without notice, to specifications, standard and optional equipment. Consult the Operating Maintenance and Parts Manuals for proper procedures. Work platforms have been tested to comply with ANSI and CSA standards as interpreted by Skyjack, Inc.

